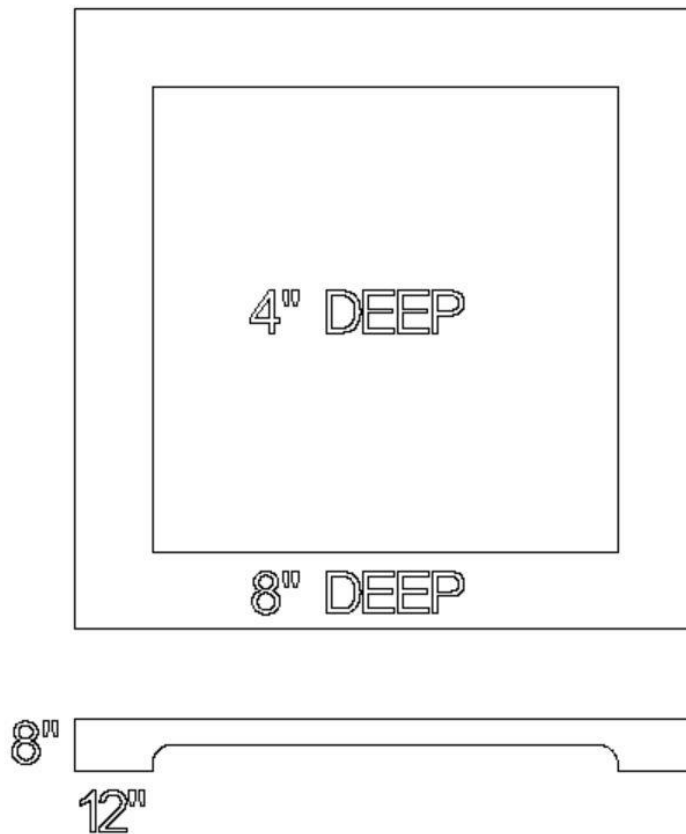


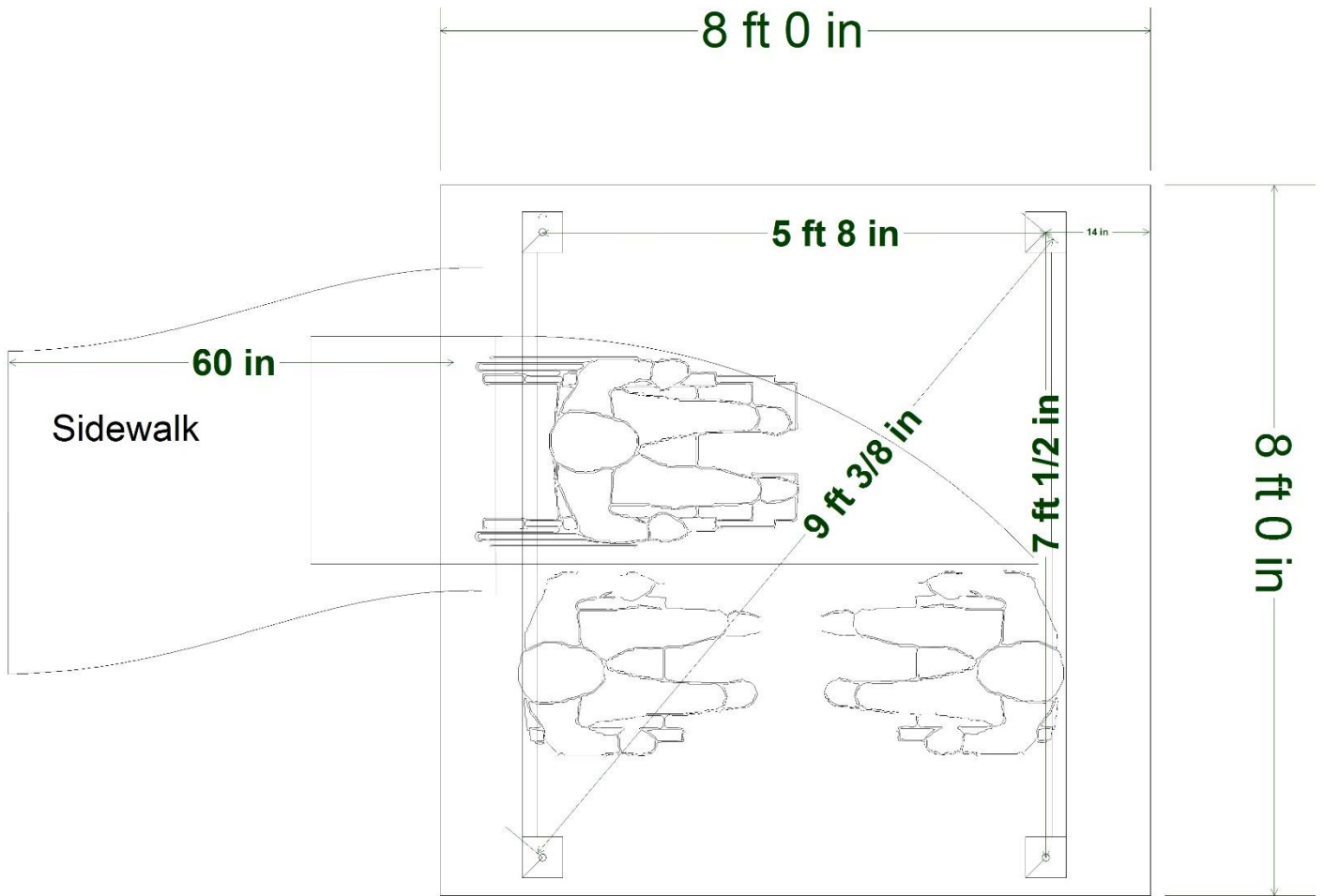


Chad Dietz | Ironwood Products LLC | 831-277-2014
Text Chad for link to assembly video and operating instructions

Suggested Slab Layout and Assembly Notes



Your concrete person should know his options:
Within the pour they may be using:
Fiber cement Or Rebar (#3 on a 16" grid) Concrete mesh



Platform should be level about 2-1/2" off concrete.
The brake should be touching concrete.

